

1105838

SYNTESI 350 R ENG HONDA OMOL

3209548_1105838_R27W - R27W (25/5/2021)



Access Platform Division

Via San Francesco d'Assisi, 8 - 46020 Pegognaga (Mantova) - ITALY Tel. +39 0376
554011 - Fax +39 0376 559855

www.imergroup.com

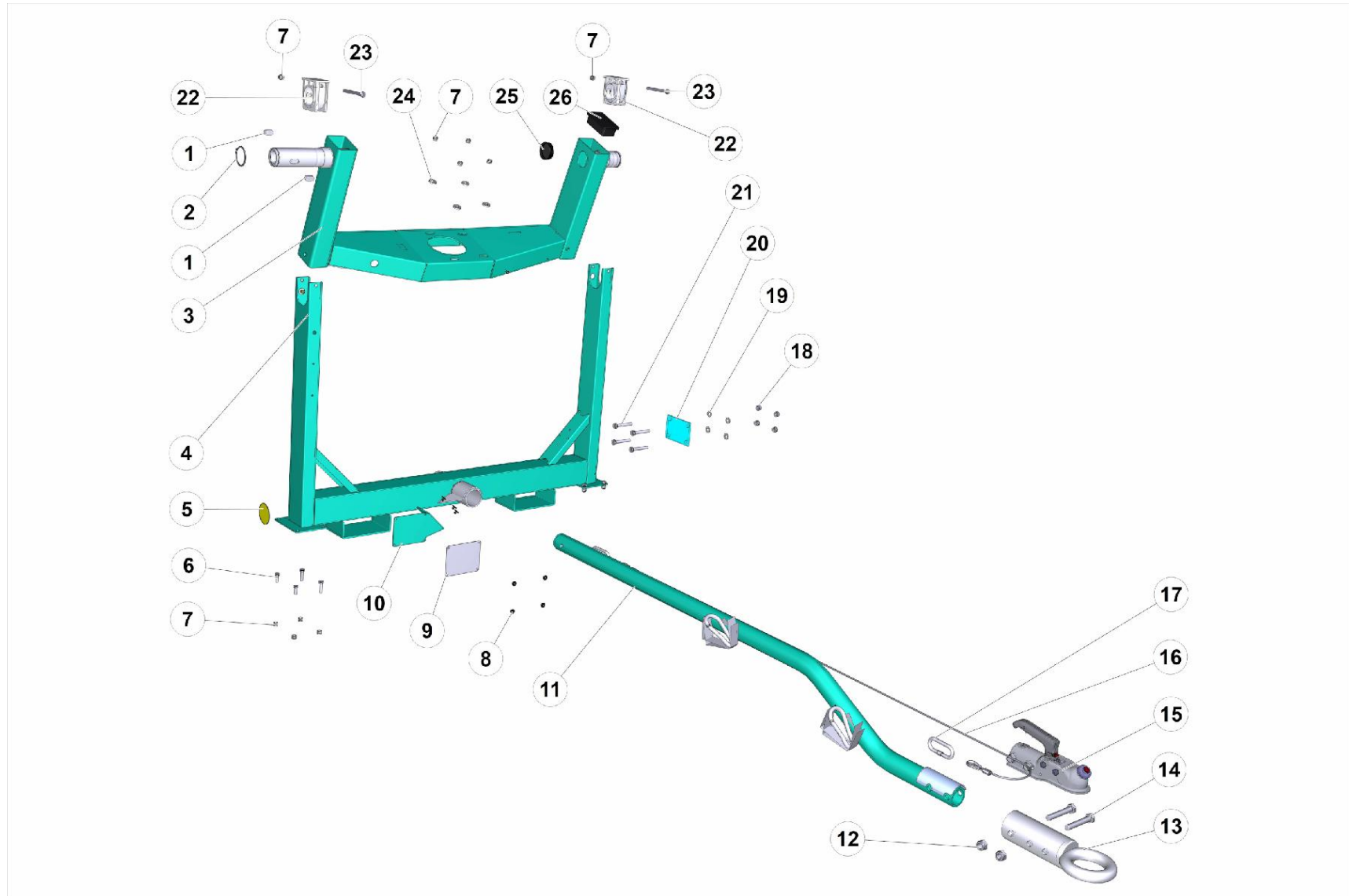
Building Equipment Division

Via della Meccanica, 39 (Zona Industriale Sentino) - 53040 Rapolano Terme
(Siena) - ITALY - Tel. +39 0577 97341 - Fax +39 0577 704077

www.imergroup.com

www.imerglobalcustomercare.com

UPPER FRAME





N.	CODE	DESCRIPTION	UM	QTY
1	3208776	PIN	PZ	2.0
2	2227205	STOP RING	PZ	1.0
3	3209183	DUMP ARM ASSY/CONC.MIXER	PZ	1.0
4	3209184	CRADLE	PZ	1.0
5	3209961	REFLECTOR YELLOW COLOUR	PZ	2.0
6	2222056	SCREW	PZ	4.0
7	2223920	SELF-LOCKING NUT	PZ	10.0
8	3225752	ALUMINUM RIVET 4X10 D.12		7.0
9	3233405	EUROPEAN APPROVAL PLATE SYNTESI 350G		1.0
10	3236434	STIRRUP	PZ	1.0
11	3208628	Tow bar	PZ	1.0
12	2223921	NUT	PZ	2.0
13	3210632	TOWING	PZ	1.0
14	2222049	SCREW	PZ	2.0
15	1169257	Kit Hitch ball S 350-420 draw-bar		1.0
16	3209859	CABLE	PZ	1.0
17	3209586	HANDLE	PZ	2.0
18	2223920	SELF-LOCKING NUT	PZ	4.0
19	2224340	ROLLER/MORTAR PUMP	PZ	4.0
20	3209193	Plate	PZ	1.0
21	2222148	SCREW	PZ	4.0



N.	CODE	DESCRIPTION	UM	QTY
22	3209009	BLOCK SUPPORT/CONC.MIXER	PZ	2.0
23	1222694	SCREW	PZ	2.0
24	3209178	WASHER/CONC.MIXER	PZ	4.0
25	3209195	PLASTIC CUP/CONC.MIXER	PZ	1.0
26	3209032	ARM CAP/CONC.MIXER	PZ	1.0

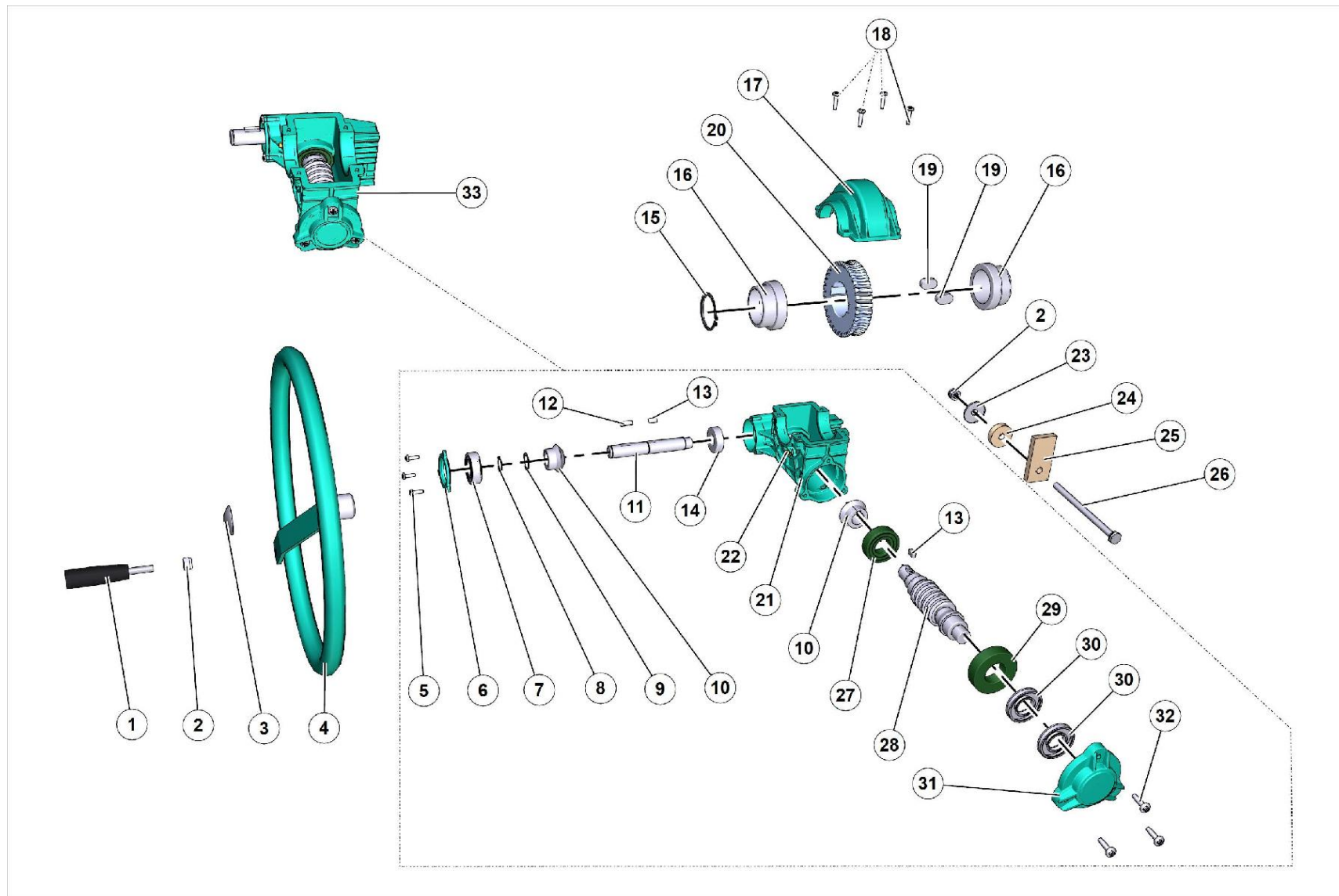


N.	CODE	DESCRIPTION	UM	QTY
7	2223920	SELF-LOCKING NUT	PZ	8.0
27	2227048	CLIP/CONC.MIXER	PZ	4.0
29	2222076	SCREW/SAW	PZ	8.0
30	2224140	ROLLER 6593	PZ	16.0
31	2223923	LOCK NUT	PZ	8.0
32	2222060	SCREW	PZ	8.0
33	2223018	WINGS SCREW 5449 8X20Z	PZ	2.0
34	3236390	RIGHT MUDGUARD IN PLASTIC CONCRETE MIXER	PZ	1.0
35	3209960	REFLECTOR WHITE COLOUR	PZ	2.0
36	3238789	NUT COVER ALKO CHASSIS	PZ	2.0
37	3234146	COLUMN M12X1.5 X AL-KO HUB	PZ	8.0
38	3236427	NUT DIN 934 M16 FOR AL-KO FRAME	PZ	2.0
39	2224640	WASHER	PZ	2.0
40	2204560	Bearing	PZ	2.0
41	3210629	ROLLER/SAW	PZ	2.0
42	2211407	WHEEL/CONC.MIXER	PZ	2.0
43	3236429	COMPLETE HUB AL-KO FRAME 98x4 M12x1.5	PZ	2.0
44	3211552	SUPPORT		4.0
45	3208587	Pin	PZ	4.0
46	2257706	Terminal	PZ	4.0
47	3236400	RIGHT FENDER SUPPORT BRACKET S350E/G PAI	PZ	1.0



N.	CODE	DESCRIPTION	UM	QTY
48	3236402	PAINTED LEFT S350E/G MUDGUARD SUPPORT BR	PZ	1.0
49	3236391	LEFT MUDGUARD IN PLASTIC CONCRETE MIXER-	PZ	1.0
51	3207392	NUT/MN	PZ	2.0
52	2222085	SCREW	PZ	2.0
53	3236408	WHEEL	PZ	1.0

DRUM REDUCTION UNIT



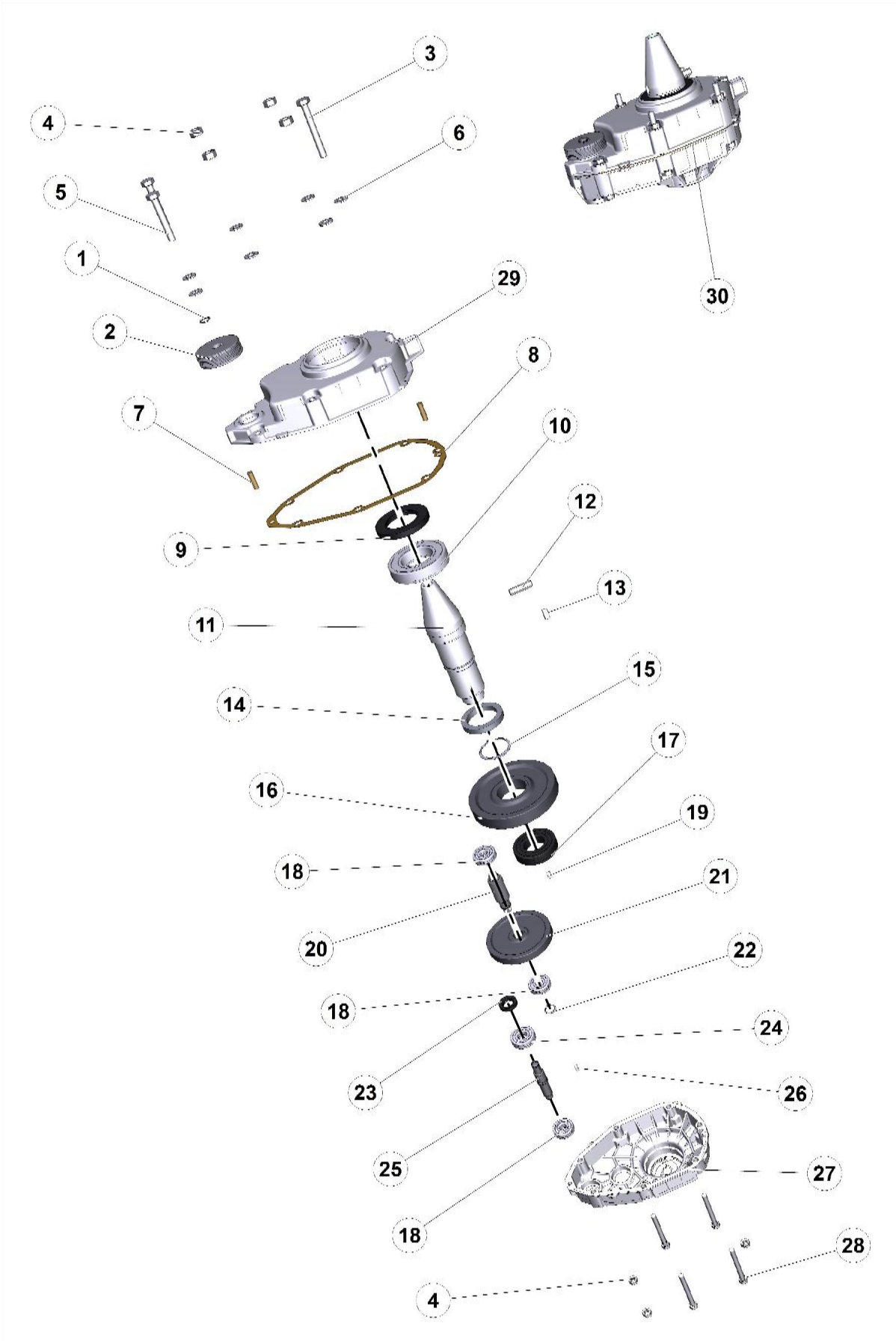


N.	CODE	DESCRIPTION	UM	QTY
1	3206748	HANDLE	PZ	1.0
2	2223920	SELF-LOCKING NUT	PZ	2.0
3	3234355	STOP RING TYPE Z WITH D.20 STAINLESS STE	PZ	1.0
4	3228750	HANDWHEEL SYNTESI	PZ	1.0
5	2222465	SCREW	PZ	3.0
6	3234642	PAINTED SYNTESI STEERING WHEEL SIDE COVE	PZ	1.0
7	2204560	Bearing	PZ	1.0
8	2227320	CIRCLIP	PZ	1.0
9	3227876	WASHER	PZ	1.0
10	3213264	PINION/CONC.MIXER	PZ	2.0
11	3208771	SHAFT/CONC.MIXER	PZ	1.0
12	2229300	KEY/CONC.MIXER	PZ	1.0
13	2229259	KEY	PZ	2.0
14	3232764	Bearing	PZ	1.0
15	2227205	STOP RING	PZ	1.0
16	3208770	PIN	PZ	2.0
17	3234640	DIE-CAST PAINTED SYNTESI TIPPING COVER	PZ	1.0
18	2222467	SCREW	PZ	4.0
19	3208776	PIN	PZ	2.0
20	3208773	GEAR WHEEL/CONC.MIXER	PZ	1.0
21	3234639	PAINTED SYNTESI TIPPING CARCASE	PZ	1.0



N.	CODE	DESCRIPTION	UM	QTY
22	2230350	Grease nipple	PZ	1.0
23	2224220	WASHER	PZ	1.0
24	3208790	SHOCK ABSORBER/CONC.MIXER	PZ	1.0
25	3208789	Damper	PZ	1.0
26	3210606	SCREW	PZ	1.0
27	2204540	Bearing	PZ	1.0
28	3213893	WORM GEAR	PZ	1.0
29	3237097	BEARING 6206 2RS	PZ	1.0
30	3213811	STOP RING	PZ	2.0
31	3234641	DIE-CAST PAINTED SYNTESI TIPPING COVER	PZ	1.0
32	3209987	SCREW	PZ	3.0
33	3209786	TILTING DRUM GEARBOX/CONC.MIXER	PZ	1.0

GEAR BOX



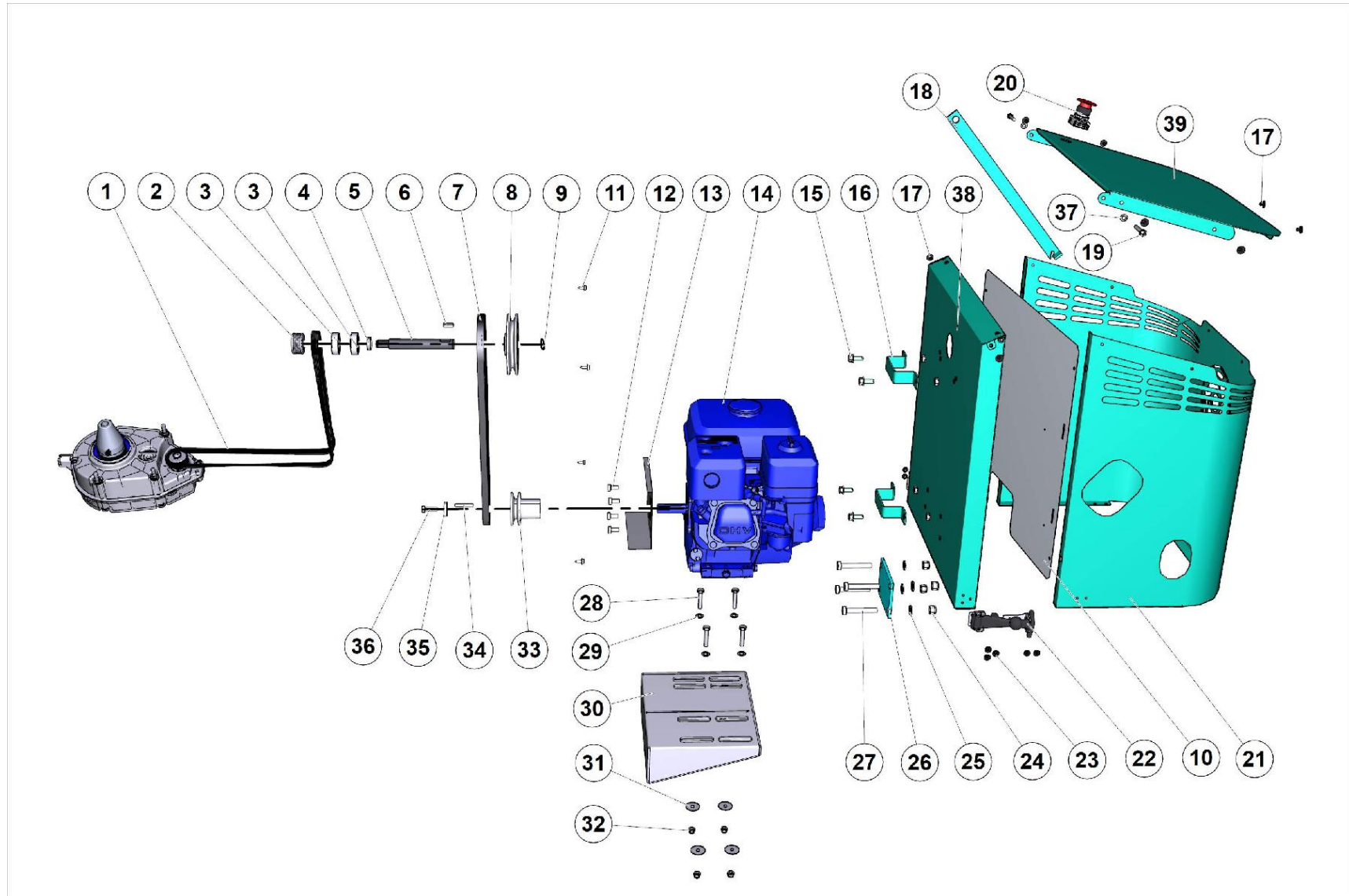


N.	CODE	DESCRIPTION	UM	QTY
1	1227330	STOP RING	PZ	1.0
2	3208919	PULLEY/CONC.MIXER	PZ	1.0
3	2222145	SCREW	PZ	1.0
4	2223650	NUT	PZ	7.0
5	2222148	SCREW	PZ	2.0
6	2224340	ROLLER/MORTAR PUMP	PZ	6.0
7	3213180	Gudgeon pin	PZ	2.0
8	3209811	GASKET/CONC.MIXER	PZ	1.0
9	3213179	OIL SEAL/CONC.MIXER	PZ	1.0
10	2204569	Bearing	PZ	1.0
11	3210474	SHAFT	PZ	1.0
12	3213177	PIN	PZ	1.0
13	3213178	KEY	PZ	1.0
14	3208966	SPACER	PZ	1.0
15	2227207	STOP RING	PZ	1.0
16	3208970	GEAR WHEEL	PZ	1.0
17	3213282	BEARING/MN	PZ	1.0
18	3209682	Bearing	PZ	3.0
19	2229259	KEY	PZ	1.0
20	3208975	PINION	PZ	1.0
21	3209801	GEAR WHEEL	PZ	1.0



N.	CODE	DESCRIPTION	UM	QTY
22	2227320	CIRCLIP	PZ	1.0
23	3200094	OIL SEAL/CONC.MIXER	PZ	1.0
24	3208983	Bearing	PZ	1.0
25	3209799	SHAFT	PZ	1.0
26	2229250	KEY	PZ	1.0
27	3209514L	REDUCTION GEAR CASING	PZ	1.0
28	3230223	SCREW TE 8.8 5739 10X100 Z	PZ	4.0
29	3209515L	REDUCTION GEAR CASING	PZ	1.0
30	3210476	GEARBOX/CONC.MIXER	PZ	1.0

ENGINE



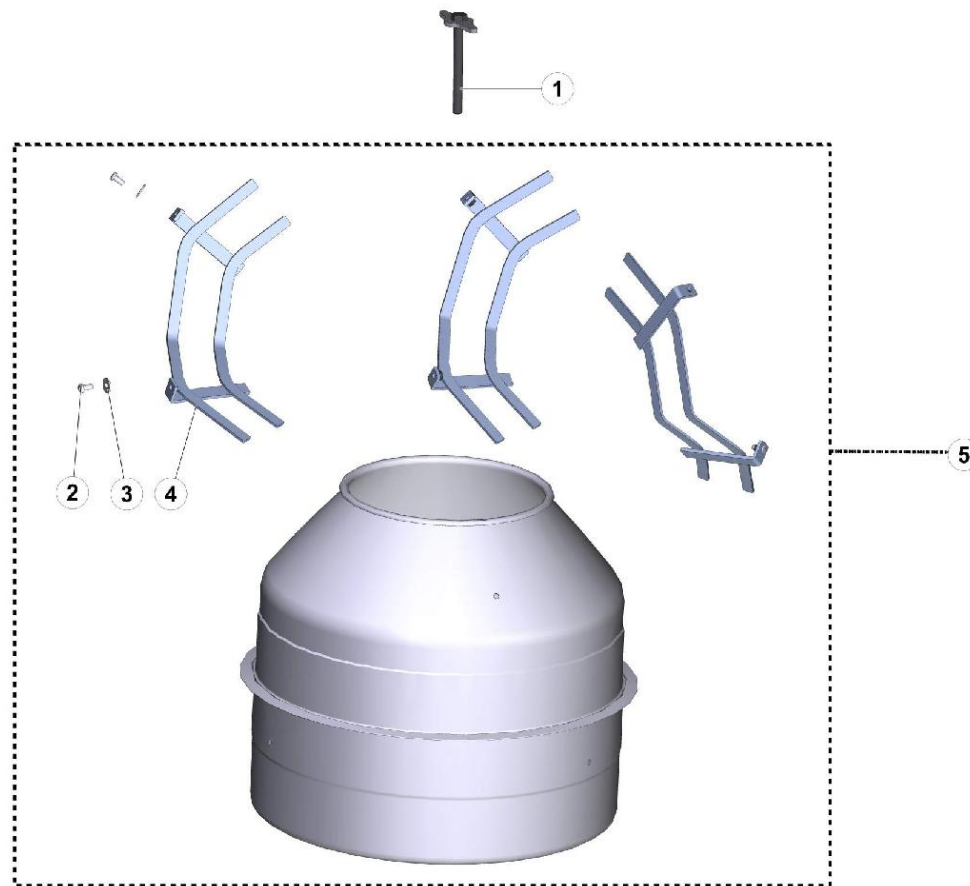


N.	CODE	DESCRIPTION	UM	QTY
1	3209081	BELT/CONC.MIXER	PZ	1.0
2	3208919	PULLEY/CONC.MIXER	PZ	1.0
3	2204438	Bearing	PZ	2.0
4	3209069	SPACER		1.0
5	3209074	SHAFT/CONC.MIXER	PZ	1.0
6	2229300	KEY/CONC.MIXER	PZ	1.0
7	2210950	BELT/CONC.MIXER	PZ	1.0
8	3209053	ENGINE PULLEY/CONC.MIXER	PZ	1.0
9	2227320	CIRCLIP	PZ	1.0
10	3233705	SHEET METAL COVER ENGINE S350	PZ	1.0
11	2222420	SCREW	PZ	4.0
12	3206357	'SCREW TE 8.8 UNF 5/16"X16Z'	PZ	4.0
13	3209136	Guard	PZ	1.0
14	2275751	ENDOTHERMIC ENGINE	PZ	1.0
15	2222061	BOLT/CONC.MIXER	PZ	4.0
16	3209126	INSTRUCTION BOOKLET CONCRETE MIXER S190-		2.0
17	2288788	Self-tapping screw	PZ	2.0
18	3209111	LATCH ARM/CONC.MIXER	PZ	1.0
19	3225641	SCREW TE 8.8 5739 6X 35 Z		2.0
20	3210723	PUSHBUTTON	PZ	1.0
21	3233703	PLATE	PZ	1.0



N.	CODE	DESCRIPTION	UM	QTY
22	3206684	Locking	PZ	2.0
23	3225752	ALUMINUM RIVET 4X10 D.12		10.0
24	2223920	SELF-LOCKING NUT	PZ	4.0
25	2224340	ROLLER/MORTAR PUMP	PZ	4.0
26	3209119	Plate	PZ	1.0
27	2222145	SCREW	PZ	4.0
28	2222190	SCREW	PZ	4.0
29	2224140	ROLLER 6593	PZ	4.0
30	3233721	MOTOR SUPPORT PAINTED SY 190-350 U	PZ	1.0
31	2224190	WASHER	PZ	4.0
32	2223923	LOCK NUT	PZ	4.0
33	3209165	PULLEY	PZ	1.0
34	2229328	KEY	PZ	1.0
35	3206322	WASHER/CONC.MIXER	PZ	1.0
36	2221994	SCREW	PZ	1.0
37	2224530	ROLLER/MN	PZ	1.0
38	3233700	BEHIND CAB ASSEMBLED / PAINTED	PZ	1.0
39	3233704	SHEET METAL DOOR COVER	PZ	1.0

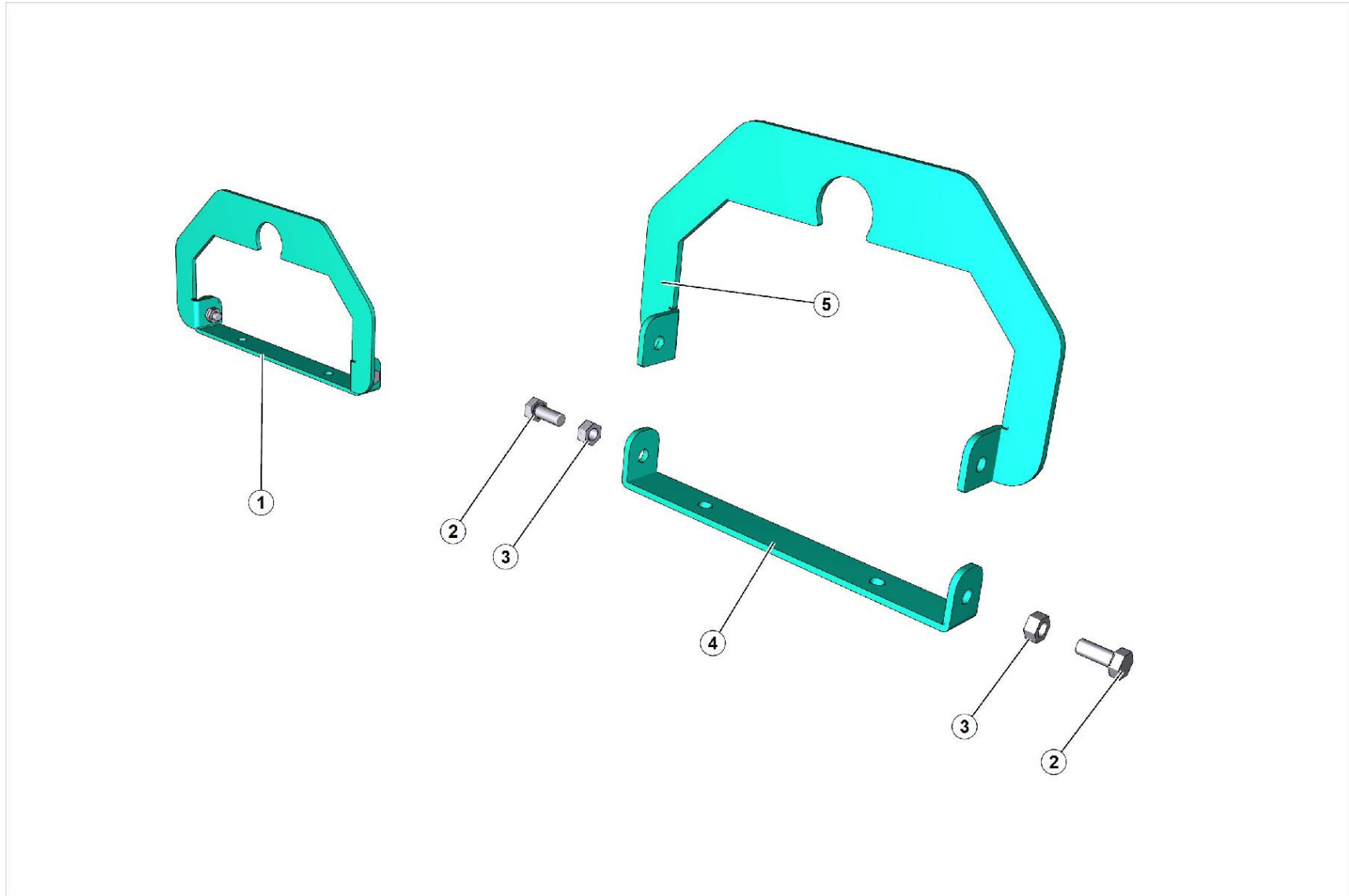
DRUM





N.	CODE	DESCRIPTION	UM	QTY
1	3301368		PZ	1.0
2	3231552	SCREW TBEI 10.9 7380 12X25 ZN	PZ	6.0
3	3201698	WASHER	PZ	6.0
4	2250089	Mixing blade	PZ	3.0
5	3206635	DRUM/CONC.MIXER	PZ	1.0

LIFTING HOOK





N.	CODE	DESCRIPTION	UM	QTY
1	1107682	LIFTING HOOK		1.0
2	2222060	SCREW	PZ	2.0
3	2223923	LOCK NUT	PZ	2.0
4	3238486			1.0
5	3238484			1.0



Access Platform Division

Via San Francesco d'Assisi, 8 - 46020 Pegognaga (Mantova) - ITALY Tel. +39 0376
554011 - Fax +39 0376 559855

www.imergroup.com

Building Equipment Division

Via della Meccanica, 39 (Zona Industriale Sentino) - 53040 Rapolano Terme
(Siena) - ITALY - Tel. +39 0577 97341 - Fax +39 0577 704077

www.imergroup.com